

MECHANICS

Fully automatic loading, test and stacker system for different board sizes in succession
 Automatic board type recognition
 Board clamping system, pass/fail stackers
 Basic unit with 8 test probes (4 top, 4 bottom)
 Smallest pad: 50 μm (2 mil)
 Smallest pitch: 100 μm (4 mil)
 System accuracy: $\pm 20 \mu\text{m}$ (± 0.8 mil)
 Repeatable accuracy: $\pm 10 \mu\text{m}$ (± 0.4 mil)
 Contact pressure: 5 - 15 g, no witness marks
 Loader capacity: 390 mm
 240 boards (1.6 mm thickness),
 Cycle time automation: 20 s

BOARDS

Max board size (X x Y): 610 x 460 mm (24.0" x 18.0")
 Test area: 610 x 460 mm (24.0" x 18.0")
 Max board thickness: 4 mm
 (7 mm manual loading)
 Min board thickness: 0.6 mm (320 x 250 mm)
 Min board size: 100 x 75 mm
 Max board weight: 2.5 kg

ELECTRONICS

Continuity test: 1 Ω to 10 k Ω
 Isolation test: up to 25 M Ω (FM),
 up to 2 G Ω (ohmic)
 Test voltage: up to 250 V MicroShortDetection[®]
 or up to 500 V (ohmic)

CAMERA SYSTEM

4 high resolution cameras (640 x 480 pixel) for rapid optical scanning of top and bottom side
 Accuracy from 10 μm /pixel

OPTIONS

- Rigid probe 10 - 100 g
- 4-wire measurement: 1 m Ω to 1 k Ω (± 0.1 m Ω ± 2 %)
 Kelvin probes 5 - 15 g, Blade probes 5 - 15 g
- LaTest[®] open detection
- Embedded components test:

	Measurement	Tolerance
R	1 Ω to 50 M Ω	$\pm(0.5 \Omega \pm 0.5 \%) < 10 \text{ M}\Omega$ $\pm 2 \% > 10 \text{ M}\Omega$
C	0.1 pF to 100 μF	$\pm(0.03 \text{ pF} \pm 2 \%)$
L	0.2 μH to 5000 μH	$\pm(0.1 \mu\text{H} \pm 2 \%)$

- Retest of fault files from grid test systems, with barcode support
- Label printer with barcode support
- Repair software

DATA INPUT FORMATS

IPC-D-356/A

NETWORK CONNECTION

Ethernet, TCP/IP

COMPRESSED AIR

6 bar (90 psi), filtered

POWER SUPPLY

3 x 400 V, 50 Hz (3 x 208 V, 60 Hz), 2500 VA

TEMPERATURE

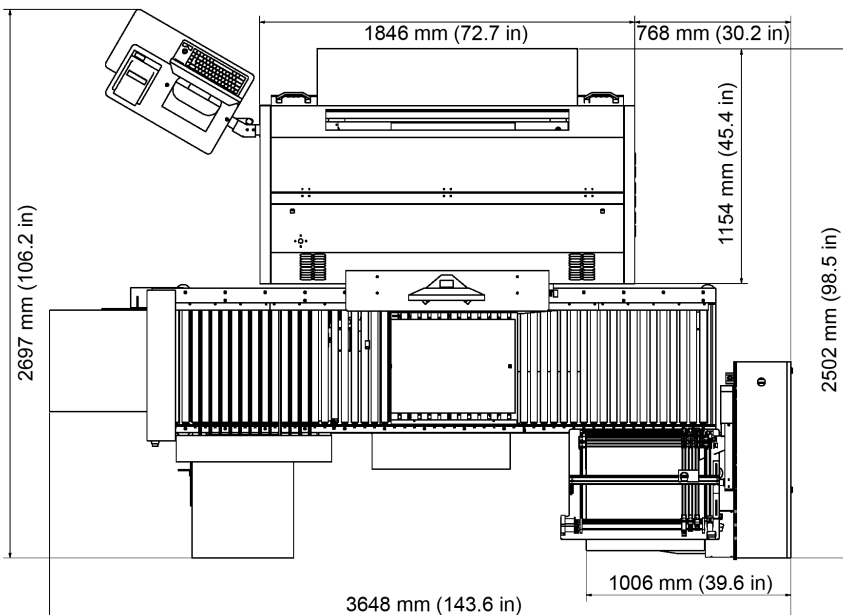
19 $^{\circ}\text{C}$ to 27 $^{\circ}\text{C}$ (66 $^{\circ}\text{F}$ to 81 $^{\circ}\text{F}$), ± 3 K

RELATIVE HUMIDITY

40 % to 60 %

WEIGHT

1850 kg



atg Luther & Maelzer GmbH
 Zum Schlag 3
 D-97877 Wertheim
 Tel.: +49 (0) 93 42 / 2 91-0
 Fax: +49 (0) 93 42 / 3 95 10
 E-mail: atg@atg-test-systems.com
 www.atg-lm.com