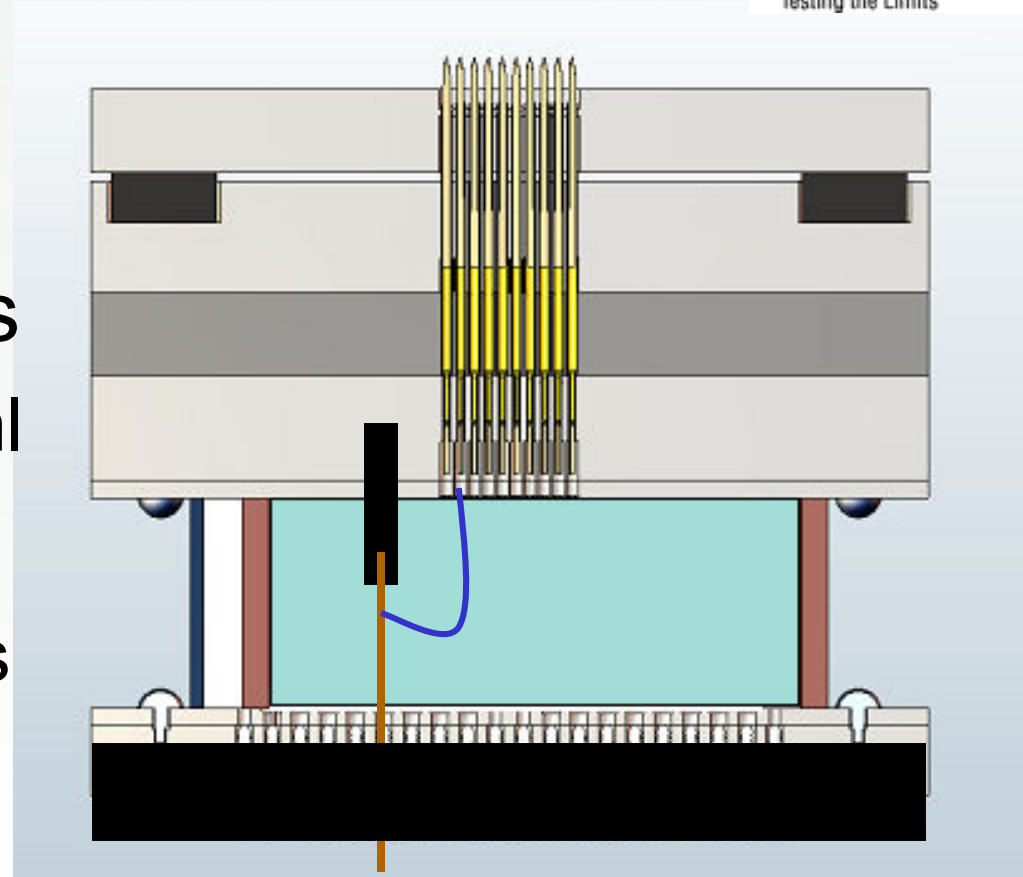


# EC-1 Wire Wrap

- Conventional wiring
- Small Targets
  - down to 18mil
- Fine Pitch
  - 1mm centers using 50mil probes



# EC-1 Wire Wrap



## FEATURES

- Improved wire wrap process
- The Best 1mm Probe Technology
- The most accurate registration in the industry

## BENEFITS

- Improved delivery and reliability over competitor fixtures
- Access “inside the fixture”
- Reduced false failures
  - Accurate, reliable contact to 18mil + pad sizes